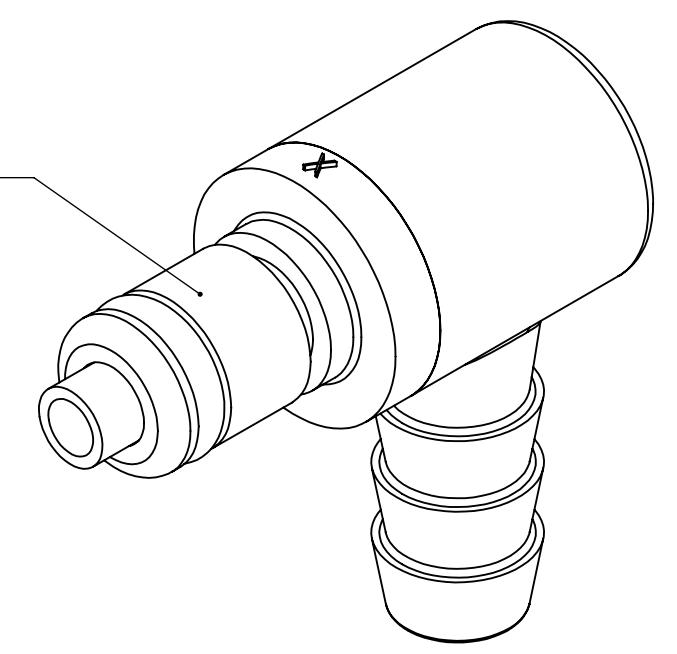
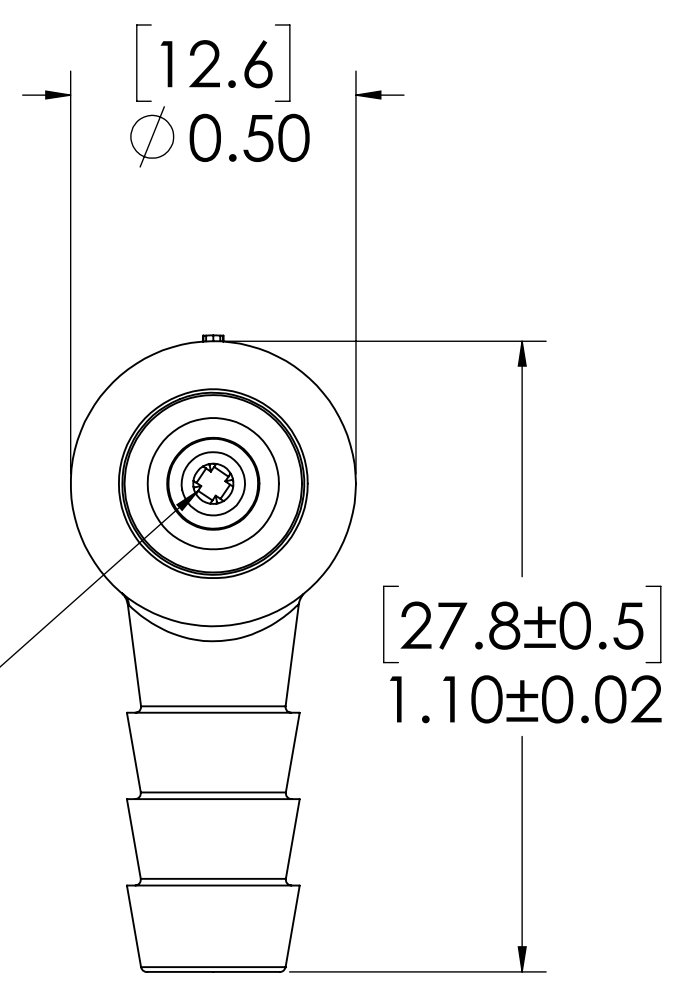


REVISIONS						
SHEET	ZONE	REV.	ECO	DESCRIPTION	DATE	APPROVED
1	ALL	A	50281	VALVE SPRING & FORMAT UPDATE	10/14/2019	HRC

**PLUG
(POLYPROPYLENE)**



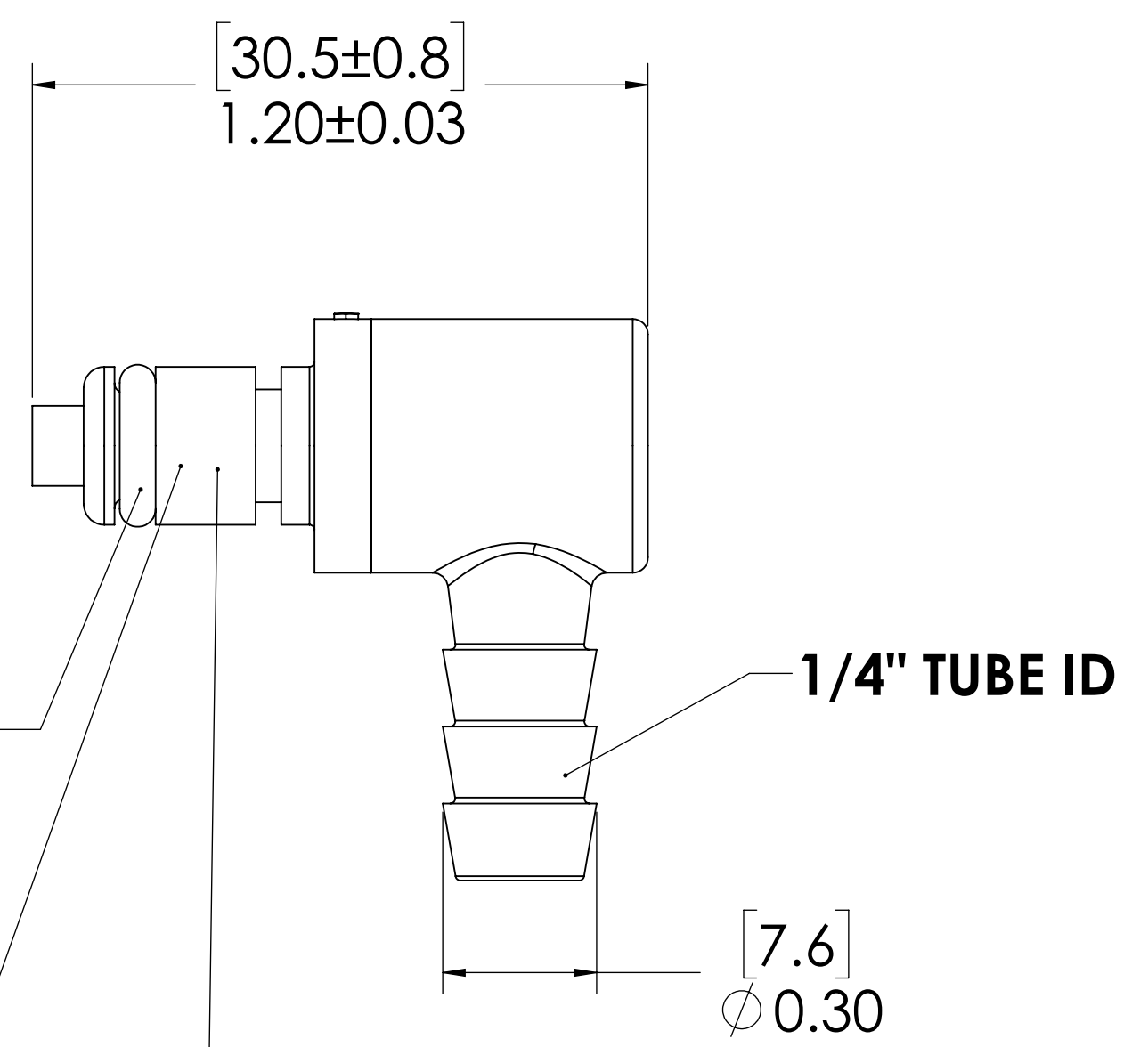
**VALVE
(POLYPROPYLENE)**



**VALVE O-RING
INTERNAL
(EPDM)**

**O-RING
EXTERNAL
(EPDM)**

**VALVE SPRING
INTERNAL
(STAINLESS STEEL)**



NOTES:

1. MATERIAL: POLYPROPYLENE
2. COLOR: GREY
3. O-RING MATERIAL: EPDM
4. O-RINGS LUBRICATED WITH FOOD GRADE SILICONE OIL, 350 CST.

FOR REFERENCE ONLY

<small>UNLESS OTHERWISE SPECIFIED: DIMENSIONS ARE IN INCHES TOLERANCES: FRACTIONAL ±1/32 ANGULAR: MACH ±0.5 BEND ±2 ONE PLACE DECIMAL ±0.1 TWO PLACE DECIMAL ±0.01 THREE PLACE DECIMAL ±0.005 TWO PLACE DUAL (mm) [±0.12]</small>	DRAWN	RDA	9/10/2019	
	CHECKED	HRC	9/10/2019	
	ENG APPR.	HRC	10/14/19	
	MFG APPR.	BDB	10/14/19	
<small>PROPRIETARY AND CONFIDENTIAL THE INFORMATION CONTAINED IN THIS DRAWING IS THE SOLE PROPERTY OF LINKTECH LLC. ANY REPRODUCTION OR DISCLOSURE IN PART OR AS A WHOLE WITHOUT THE WRITTEN PERMISSION OF LINKTECH LLC IS STRICTLY PROHIBITED.</small>	Q.A.	LS	10/14/19	PART NO: 20PPV-PE4-04 DESCRIPTION: LinkTech 20PP Series Elbow Male, Valved, 250 HB, Molded Grey Color, Polypropylene
<small>SCALE: NTS WEIGHT:</small>		SIZE DWG. NO. REV C 20PP200103 A	<small>SHEET 1 OF 1</small>	